

- 1 - GND
- 2 - +5V
- 3 - ENC A
- 4 - ENC B
- 5 - PB1
- 6 - CTRL1
- 7 - CTRL2
- 8 - AF IN 1
- 9 - AF IN 2
- 10 - AF OUT 1
- 11 - AF OUT 2
- 12 - spare

- 5 - CTRL 2
- 4 - CTRL 1
- 3 - AF IN 1
- 2 - AF IN 2
- 1 - GND

- 3 - AF OUT 1
- 2 - AF OUT 2
- 1 - GND

# ADAU14/1701-Interface

Sheet: /  
File: ADAU\_IFACE.sch

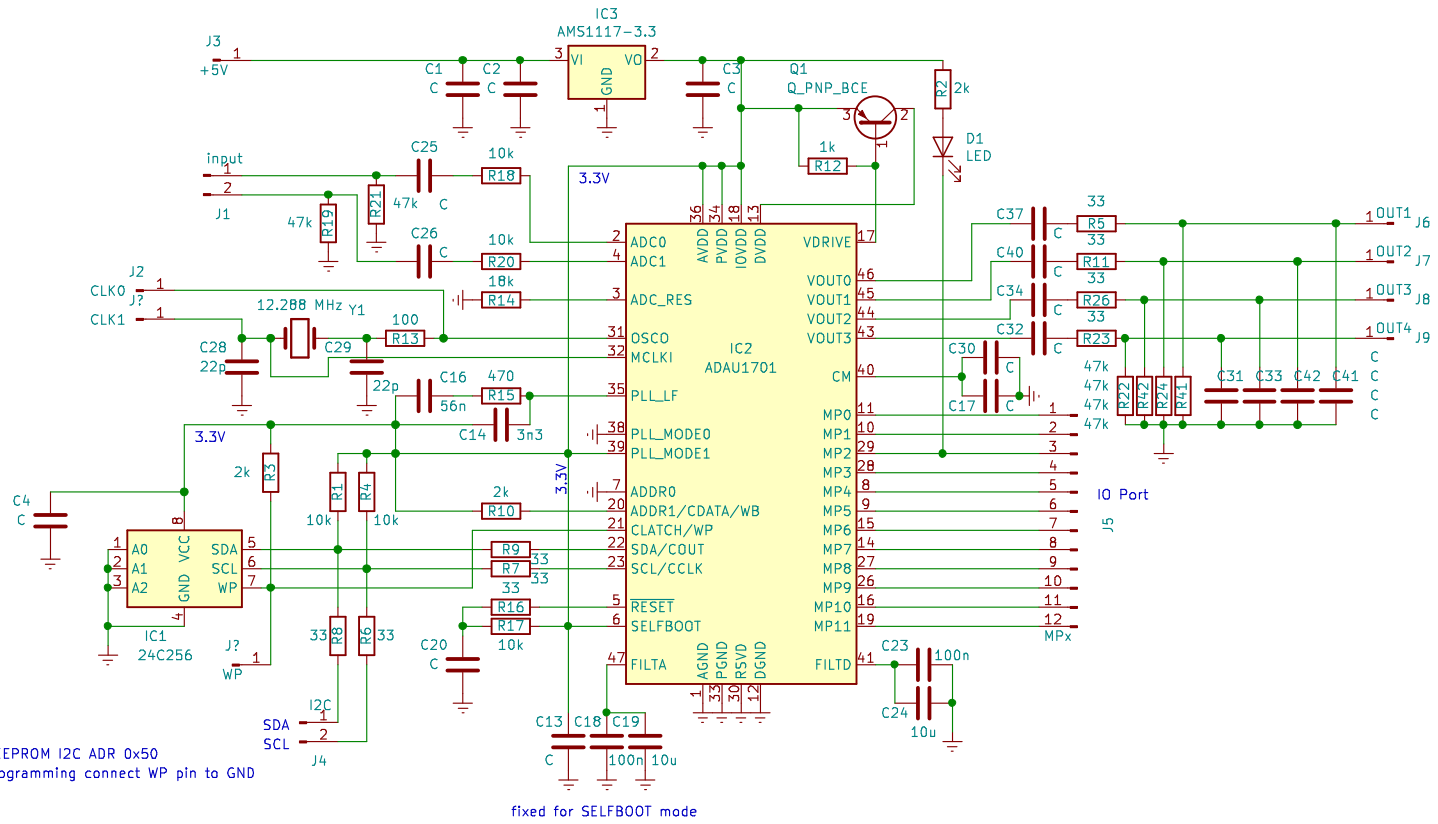
**Title:**

Size: A4 Date: 14.11.2021

KiCad E.D.A. kicad (5.1.0)-1

OK1DX

Rev:  
Id: 1/1



# ADAU14/1701-DSP module

Sheet: /  
File: ADAU\_DSP.sch

**Title:**

Size: A4 Date: 18.6.2021  
KiCad E.D.A. eeschema (5.1.0)-1

OK1DX

Rev:  
Id: 1/1

