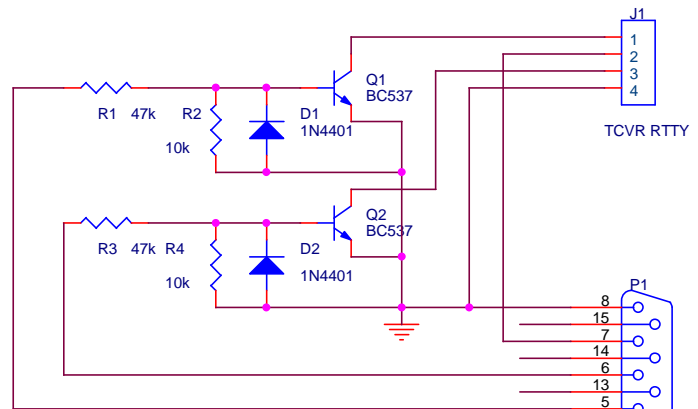
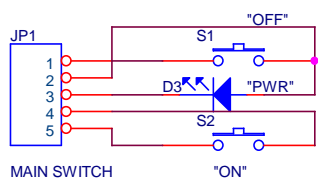


- 2- GND
- 3- PTT
- 5- KEY

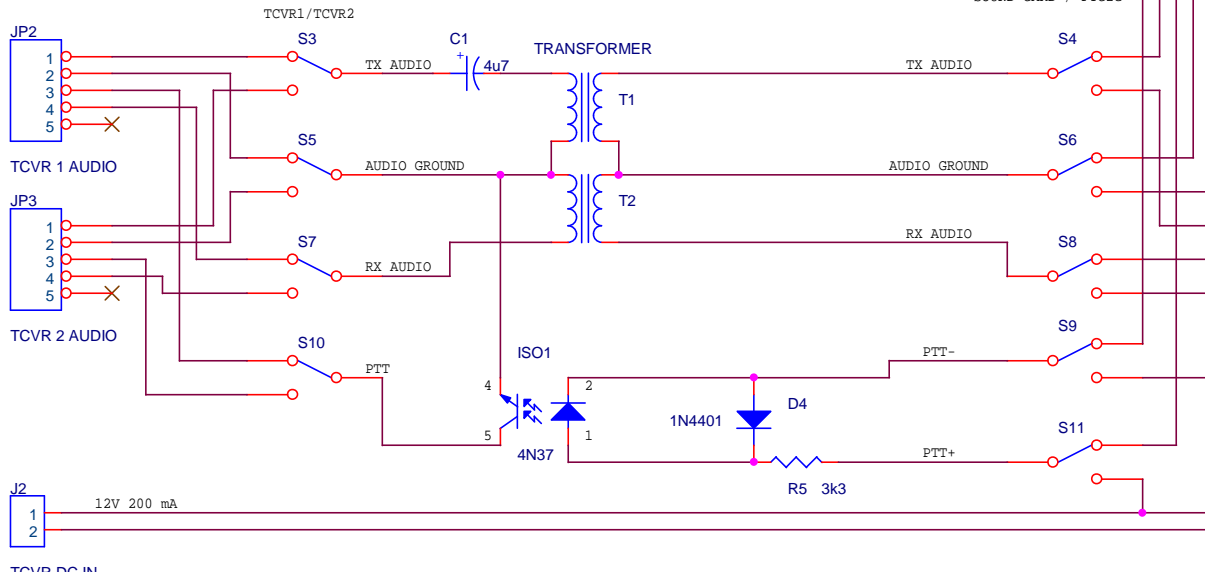
Title		
ELBUG		
Size	Document Number	Rev
A3	OK1DX	1.1
Date:	Friday, April 02, 2010	Sheet 1 of 1

A B C D E



- 1 - TX SHIFT
- 2 - RX OUT
- 3 - PTT
- 4 - GND

- 1 - TX MOD
- 2 - GND
- 3 - PTT
- 4 - RX AF
- 5 - N.C.



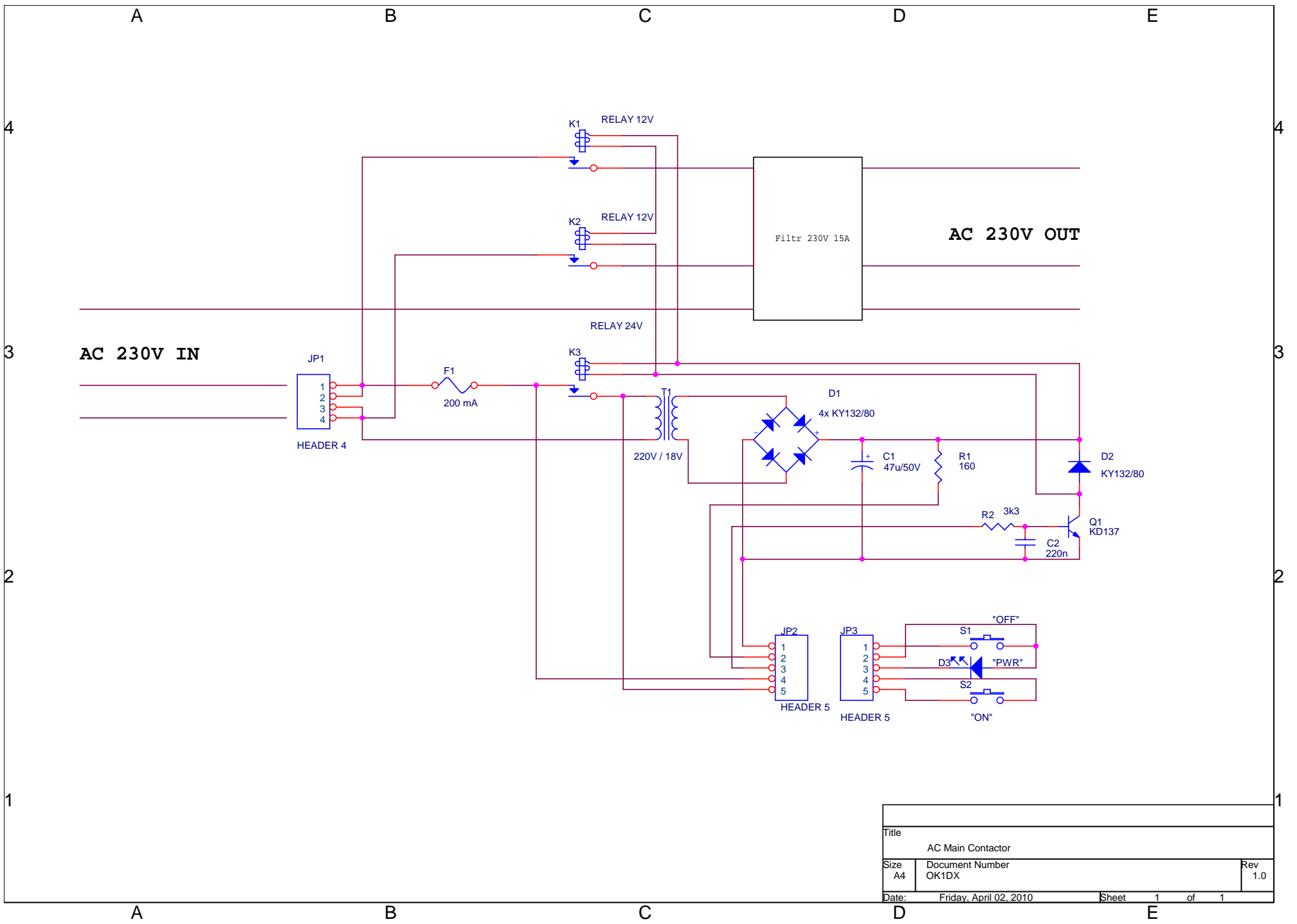
- 1 - AUDIO GND
- 2 - TX AUDIO (MOD)
- 3 - RX AUDIO (AF)
- 4 - n.c.
- 5 - RTTY TX SHIFT (COM)
- 6 - RTTY PTT (COM)
- 7 - RTTY RX AUDIO
- 8 - RTTY GND
- 9 - AFSK PTT- (COM)
- 10 - AFSK PTT+ (COM)
- 11 - n.c.
- 12 - Key+ (LPT)
- 13 - Key- (LPT)
- 14 - PTT+ (LPT)
- 15 - PTT- (LPT)

Personal Computer - Sound card, COM, LPT

- 1 - TX MOD
- 2 - GND
- 3 - PTT (TX GND)
- 4 - RX AF
- 5 - 12V SUPPLY

Title		
AFSK, FSK		
Size	Document Number	Rev
A4	OK1DX	1.1
Date:	Friday, April 02, 2010	Sheet 1 of 1

A B C D E



Title		
AC Main Contactor		
Size	Document Number	Rev
A4	OK1DX	1.0
Date:	Friday, April 02, 2010	Sheet 1 of 1