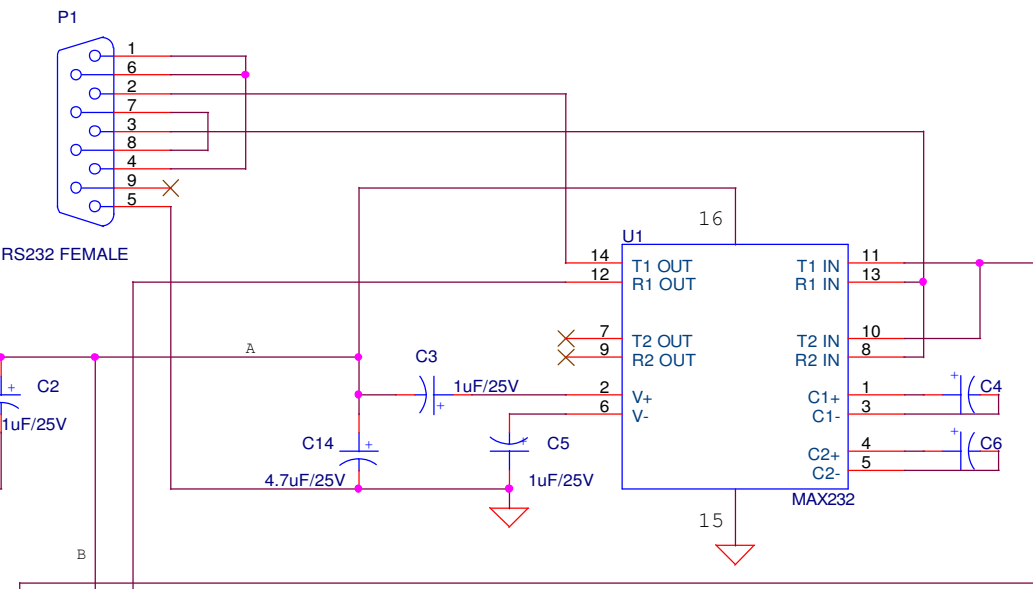
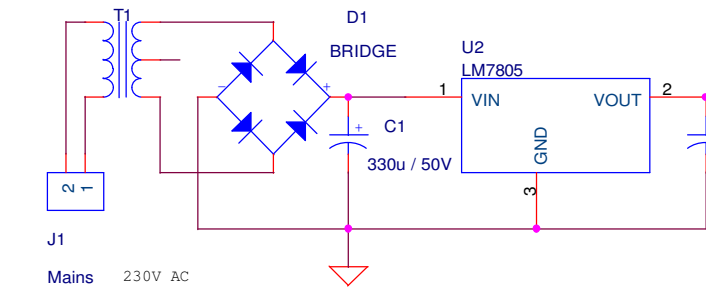
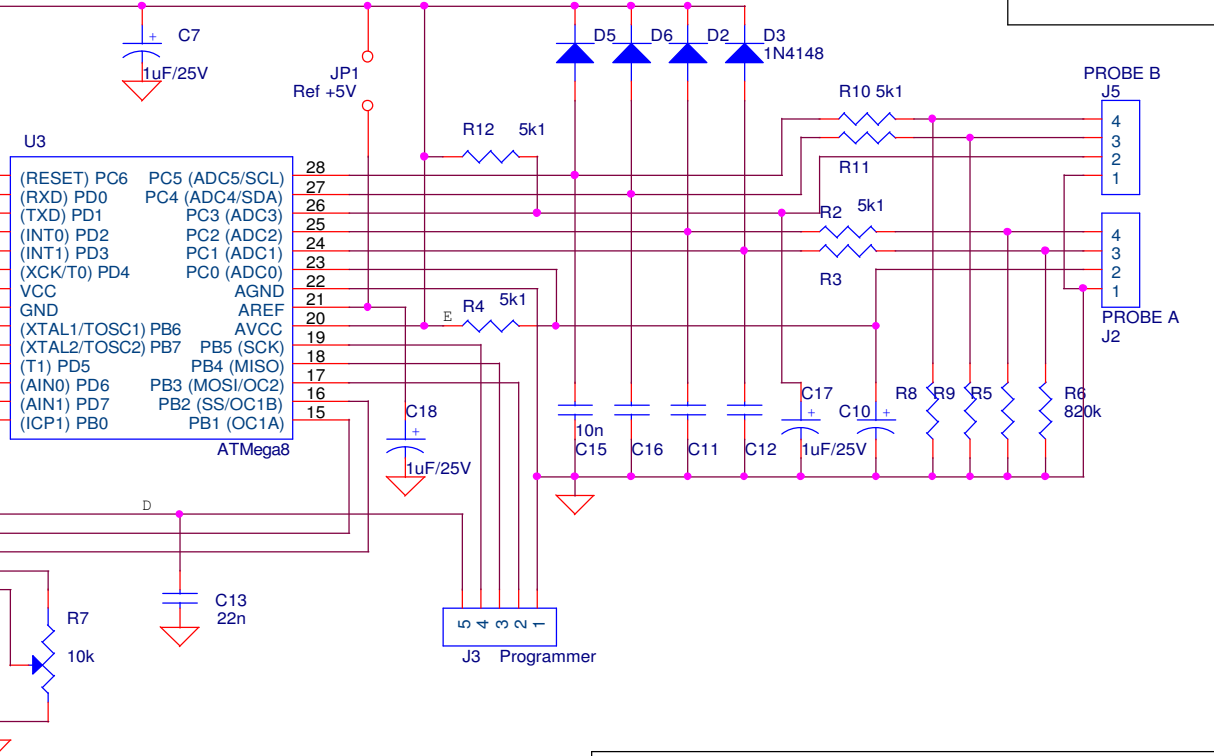
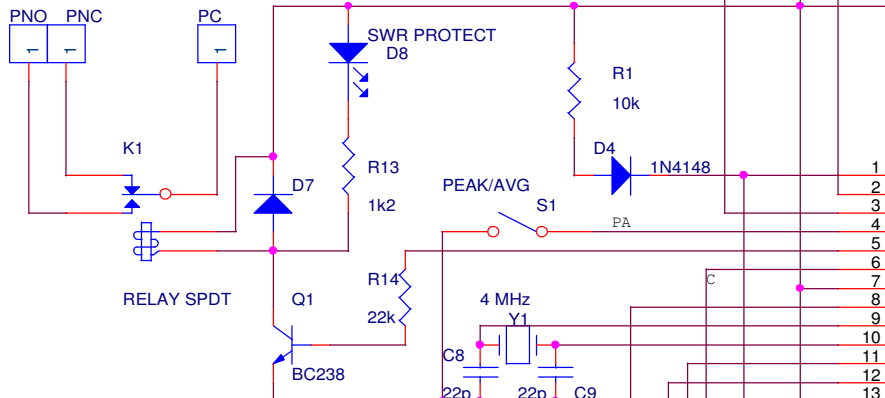


230V / 9V 2VA (6VA when LCD with backlight)



Connector J2, J5  
 1 GND  
 2 Probe ID  
 3 FWD  
 4 REV



LCD module  
 1 GND  
 2 +5V  
 3 contrast  
 4 RS (control/data)  
 5 R/W (read/write)  
 6 Enable  
 7 D0 - n.c.  
 8 D1 - n.c.  
 9 D2 - n.c.  
 10 D3 - n.c.  
 11 D4  
 12 D5  
 13 D6  
 14 D7

Connector J4  
 1 GND  
 2 +5V  
 3 contrast  
 4 RS (control/data)  
 5 R/W (read/write)  
 6 Enable  
 7 D4  
 8 D5  
 9 D6  
 10 D7

Title		
SWR Mega		
Size	Document Number	Rev
A4	OK1DX	1.2
Date:	Monday, May 13, 2013	Sheet 1 of 1