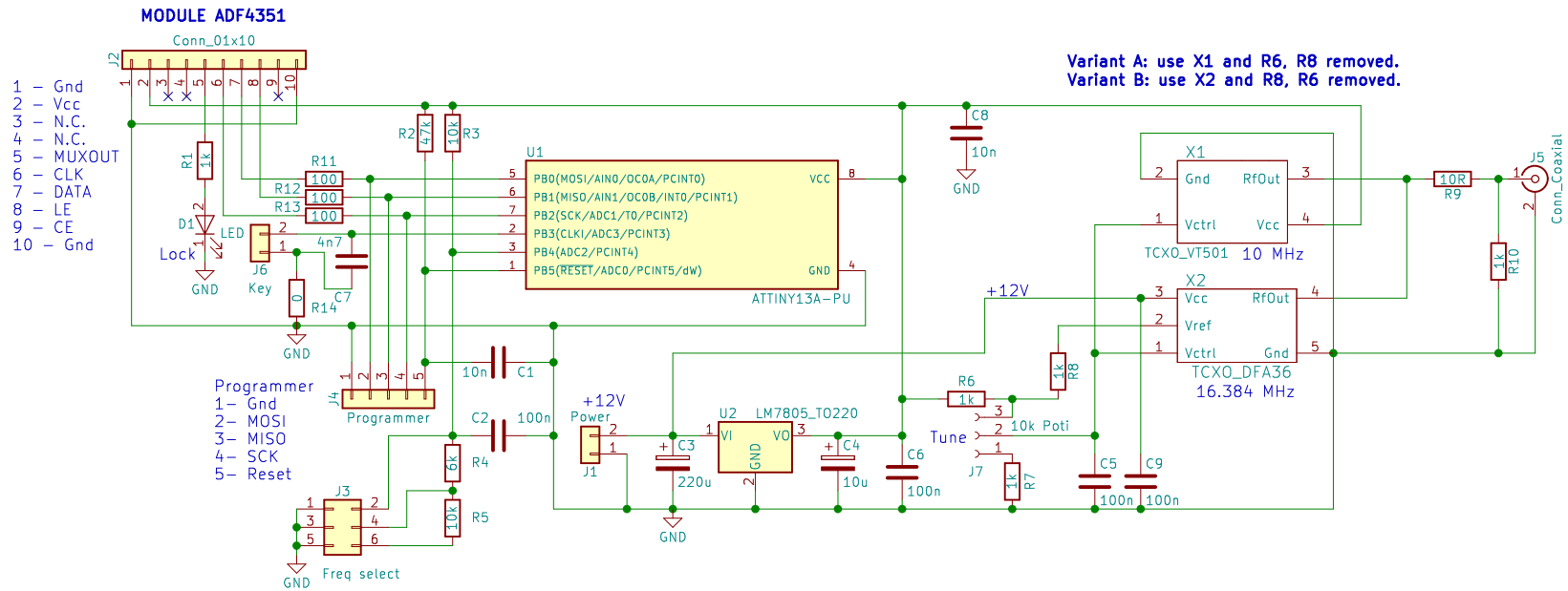


Key

Note: CE pin pullup on module



Sheet: /

File: Vrsicek2.sch

Title: VRSICEK-2

Size: A4

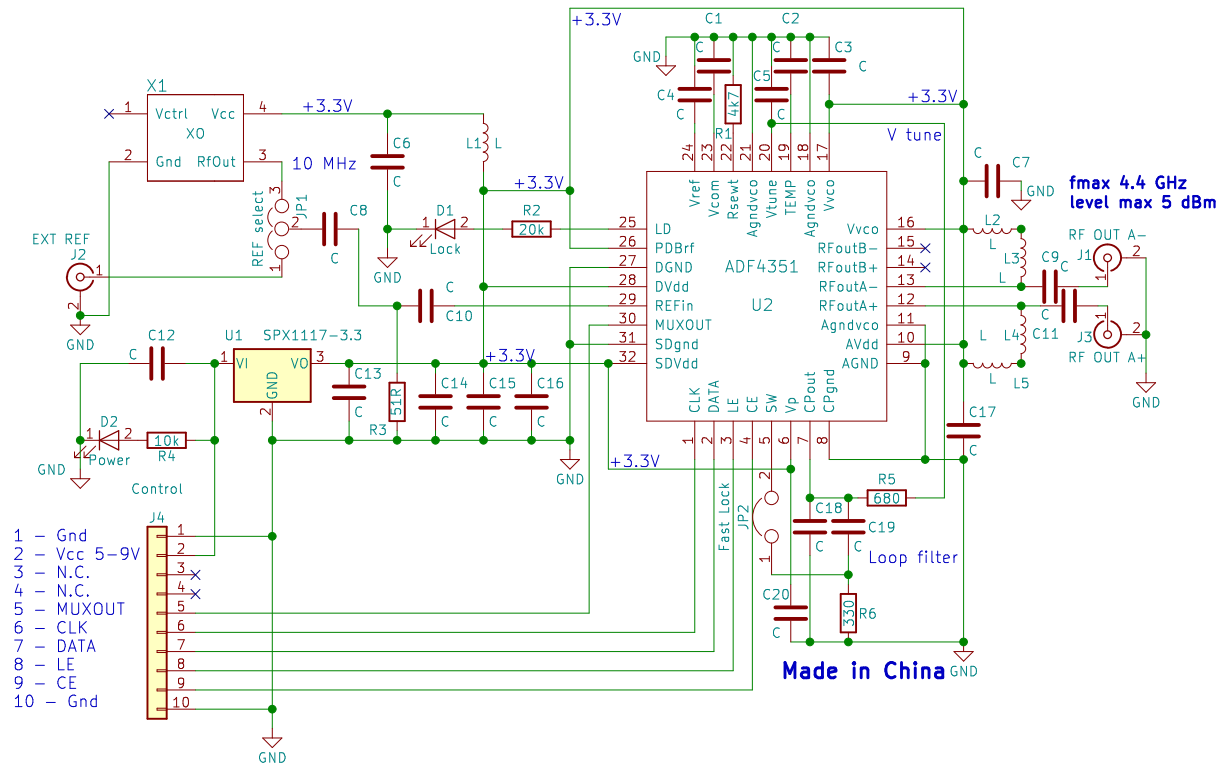
Date: **28.4.2019**

KiCad E.D.A. kicad 4.0.7

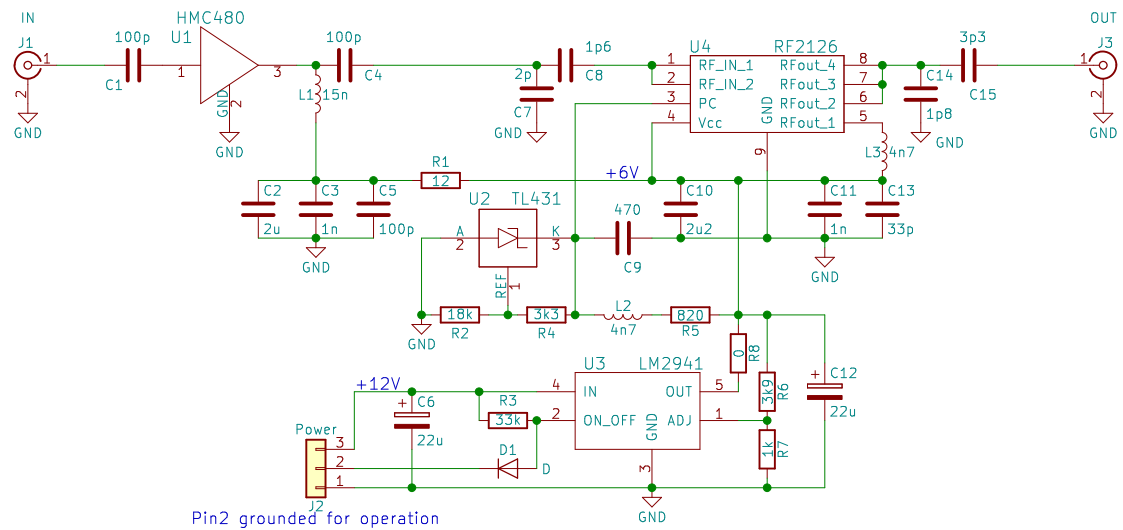
Rev:

Id: 1/1

ADF4351 PLL SYNTHETISER MODULE



Sheet: /		OK1DX	
File: ADF4351_BY.sch			
Title:			
Size: A4	Date:	Rev:	
KiCad E.D.A. eeschema 4.0.7		Id: 1/1	

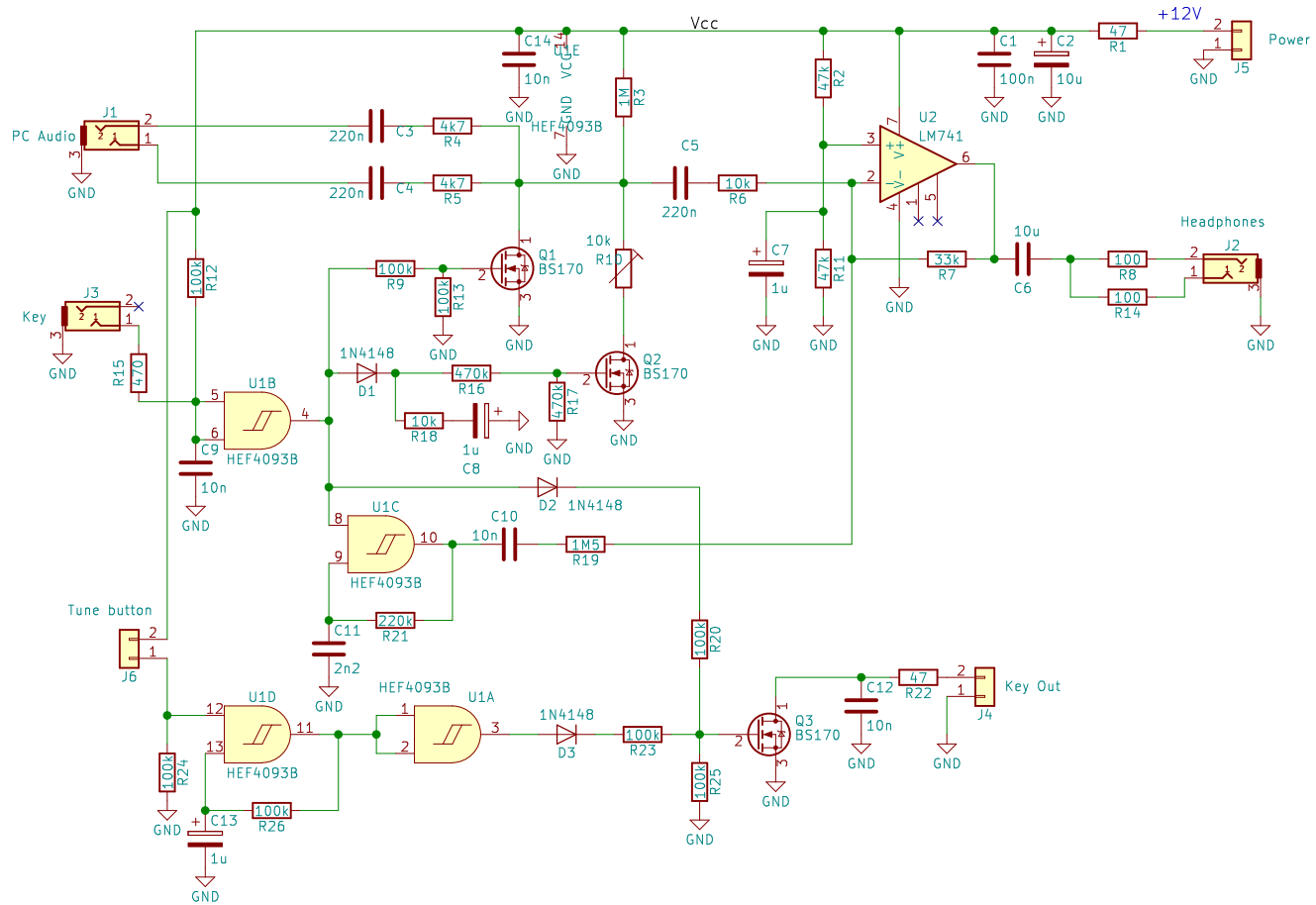


Sheet: /
 File: PA_13cm.sch

Title:

Size: A4 Date:
 KiCad E.D.A. eeschema 4.0.7

Rev:
 Id: 1/1



Sheet: /
 File: Vrsicek2_pripolech.sch

Title:

Size: A4 Date: 16.1.2020
 KiCad E.D.A. eeschema 4.0.7

Rev:
 Id: 1/1